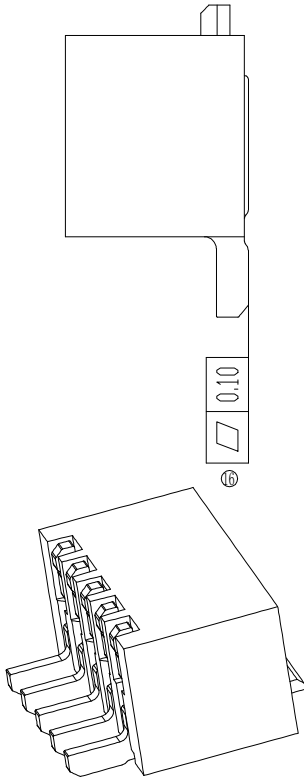
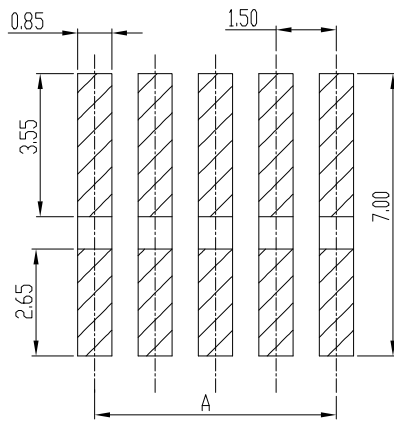
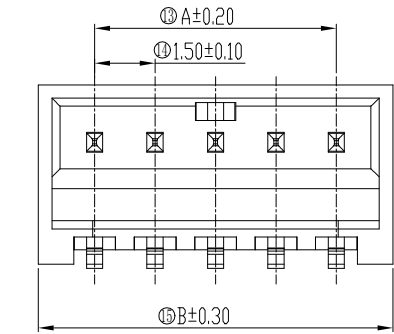


Circuit	A	B	C
02	1.50	4.30	1.70
03	3.00	5.80	3.20
04	4.50	7.30	4.70
05	6.00	8.80	6.20
06	7.50	10.30	7.70
07	9.00	11.80	9.20
08	10.50	13.30	10.70
09	12.00	14.80	12.20
10	13.50	16.30	13.70
11	15.00	17.80	15.20
12	16.50	19.30	16.70
13	18.00	20.80	18.20
14	19.50	22.30	19.70
15	21.00	23.80	21.20



- Performance characteristics:
- Main body part material  
 Insulator: LCP Nature UL94V-0  
 Contact terminal: Brass Ni 1.27  $\mu\text{m}$  Min. under plated, Outer plating Gold flash.
  - Electrical requirements:  
 Current rating: 3 A  
 Contact resistance:  $\leq 20 \text{ m}\Omega$   
 Insulation resistance:  $\geq 1000 \text{ M}\Omega$   
 Withstanding voltage:  $\geq 500 \text{ Vr.m.s, 1mA, 60s}$
  - Environment specification  
 Working temperature:  $-40^\circ\text{C} \sim +105^\circ\text{C}$
  - Packing & storing  
 Method of packing: Reel  
 Storing condition: temperature of  $-10^\circ\text{C} \sim +40^\circ\text{C}$  below 80% relative humidity
  - Style of installation: SMT
  - To prevent the pollution of the environment product info  
 RoHS agreement: In line with the european union RoHS.

1342 - XX 2 - 0 1 - N

Series code	Terminal number	Style of installation	Spec code	Plating code	Insulator material & color
	02 15	Code Definition 2 Type2	Code Definition 0 Without CAP X Customized	Code Definition 1 Gold Flash X Customized	Code Definition N LCP Nature UL94V-0 X Customized

Unless otherwise specified tolerance:

X.	$\pm 0.50$	X.°	$\pm 3^\circ$
.X	$\pm 0.38$	.X°	$\pm 2^\circ$
.XX	$\pm 0.25$		

Mark	NO.	File NO.	Signature	Date
④	4	530528	Jiangbo Liu	2021.08.25
DRAW			An.Cheng	2017.07.21
CHK			Lawrence	2021.10.08
MAN				
STD			Juanli lai	2021.10.08
APP			Alan	2021.10.11

1.50mm Pitch SMT Wafer

1342-XX2-01-N

SLO. 1342.005			
Projection	Rev.	Weight	Scale
	A1		
All Dimensions in mm		Sheet 1 of 1	
SHINNING SHENZHEN SHINNING ELECTRONIC CO.,LTD.			