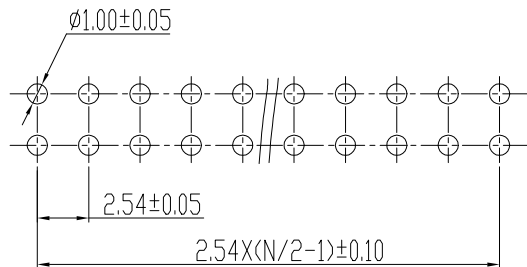


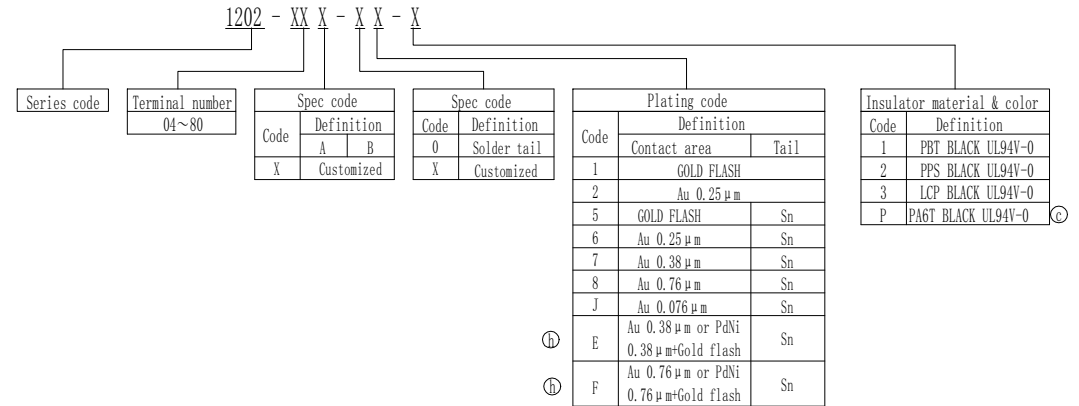
N= Number of contacts



PCB LAYOUT

Performance characteristics:

- Main body part material
Insulator: see spec list
Contact terminal: brass, 1.27 μm Ni under plated, outer plating see spec list
- Electrical requirements:
Current rating: 3 A
Contact resistance: ≤20 mΩ
Insulation resistance: ≥5000 MΩ
Withstanding voltage: 1000 Vr.m.s, 1ma, 60s
- Mechanical requirements
Retention: ≥10 N/pin
- Environment specification
Working temperature: -55°C~+125°C
Humidity: ≤93% at 40°C
Resistance to soldering heat: 245°C±5°C, 10s(PBT insulator)
260°C±5°C, 10s(PPS, PA6T or LCP insulator)
- Packing & storing
Method of packing: plastic bag, inner box, outer box
Storing condition: temperature of -10°C~+40°C
below 80% relative humidity
- Style of installation: solder pcb installation
- To prevent the pollution of the environment product info
RoHS agreement: content



①	2	522090	Jiangbo Liu	2021.06.27
②	1	304460	Jiangbo Liu	2018.05.21
③	1	289770	Huanjiang Xu	2018.03.20
Mark	NO.	File NO.	Signature	Date
DRAW			LinZhao	2014.06.05
CHK			Lawrence	2021.08.11
MAN				
STD			Juanli lai	2021.08.13
APP			Alan	2021.08.13

2.54mm pitch double row
terminal strips straight pin

1202-XXX-XX-X

SLO. 1202. 100

Projection	Rev.	Weight	Scale
	B8		
All Dimensions in mm		Sheet 1 of 2	
SHINNING SHENZHEN SHINNING ELECTRONIC CO. LTD.			

Unless otherwise specified tolerance:

X.	±0.50	X.°	±3°
.X	±0.38	.X°	±2°
.XX	±0.25		

The 7th spec code definition:

Code	A	B	P/N	
1	11.60	3.20	1202-XX1-0X-X	
3	13.50	3.00	1202-XX3-0X-X	
4	16.00	3.00	1202-XX4-0X-X	
5	10.20	3.00	1202-XX5-0X-X	
6	8.70	2.50	1202-XX6-0X-X	
⑤	7	11.00	2.70	1202-XX7-0X-X
	8	12.20	3.90	1202-XX8-0X-X
	9	13.80	3.20	1202-XX9-0X-X
	A	21.08	2.79	1202-XXA-0X-X
④	B	12.00	3.00	1202-XXB-0X-X
⑥	E	9.10	1.60	1202-XXE-0X-X
	G	12.50	3.20	1202-XXG-0X-X
	H	11.60	3.00	1202-XXH-0X-X
	J	26.00	3.00	1202-XXJ-0X-X
	K	17.30	3.00	1202-XXK-0X-X
	M	18.50	3.00	1202-XXM-0X-X
	P	15.60	3.00	1202-XXP-0X-X
	Q	22.8	3.00	1202-XXQ-0X-X
	R	12.20	3.00	1202-XXR-0X-X
③	S	14.70	3.20	1202-XXS-0X-X
	T	9.80	3.20	1202-XXT-0X-X
②	U	10.50	1.50	1202-XXU-0X-X
①	V	18.00	3.50	1202-XXV-0X-X
⑦	N	13.25	3.00	1202-XXN-0X-X

④	2	522090	Jiangbo Liu	2021.06.27	2.54mm pitch double row terminal strips straight pin	SL0.1202.100				
⑤	1	304460	Jiangbo Liu	2018.05.21		Projection	Rev.	Weight	Scale	
⑥	1	289770	Huanjiang Xu	2018.03.20			B8			
Mark	NO.	File NO.	Signature	Date		All Dimensions in mm Sheet 2 of 2				
DRAW	LinZhao 2014.06.05					1202-XXX-XX-X	SHINNING SHENZHEN SHINNING ELECTRONIC CO.,LTD.			
CHK	Lawrence 2021.08.11									
MAN										
STD	Juanli lai 2021.08.13									
APP	Alan 2021.08.13									