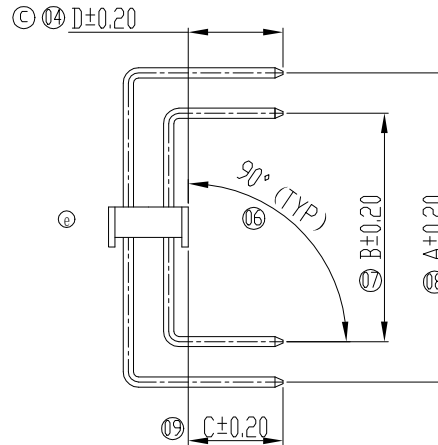
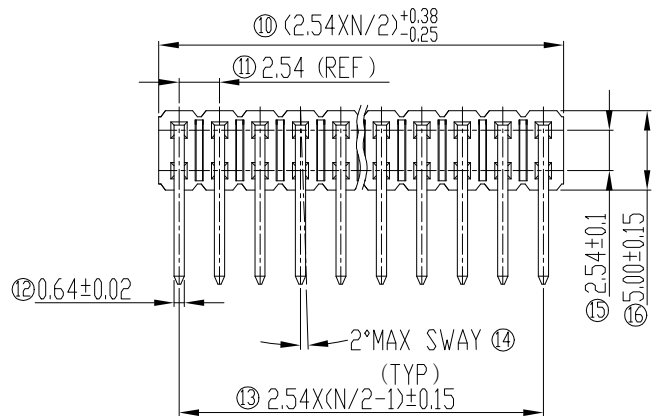
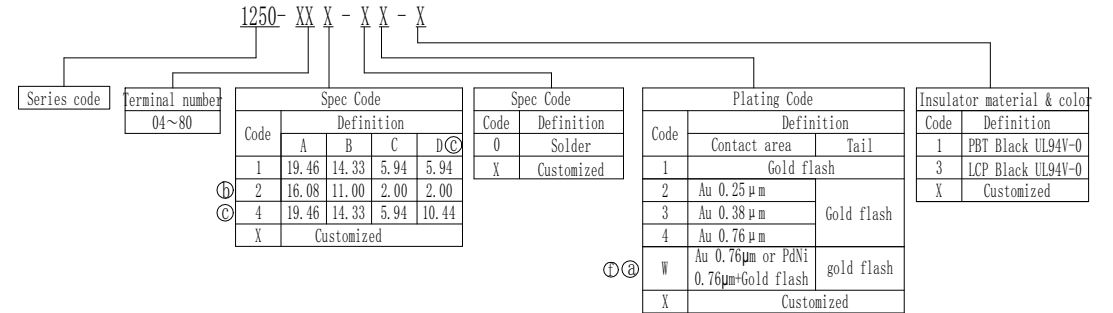


N: Total number of contacts



Performance characteristics:

- Main body part material
Insulator: See part number rule
Contact terminal: Copper alloy, 1.27~2μm Ni under plated, Outer plating see part number rule
- Electrical requirements:
Current rating: 3 A
Contact resistance: ≤20 mΩ
Insulation resistance: ≥5000 MΩ
Withstanding voltage: 1000 Vr.m.s, 1mA, 60s
- Mechanical requirements
Retention: ≥13.5N/pin
- Environment specification
Working temperature: -55°C~+125°C
Humidity: ≤93% at 40°C
- Packing & storing
Method of packing: tube
Storing condition: temperature of -10°C~+40°C below 80% relative humidity
- To prevent the pollution of the environment product info
RoHS agreement: In line with the European Union RoHS



Unless otherwise specified tolerance:

X.	±0.50	X.°	±3°
.X	±0.38	.X°	±2°
.XX	±0.25		

①	1	522090	Jiangbo Liu	2021.06.27
②	1	371395	HuanjiangXu	2019.03.08
③	1	128410	Tim Lv	2016.07.13
Mark	NO.	File NO.	Signature	Date
DRAW			Tim	2010.09.30
CHK			Lawrence	2021.08.11
MAN				
STD		Juanli lai	2021.08.13	
APP		Alan	2021.08.13	

2.54mm pitch double row double side right angle pin header

SLO. 1250. 101

Projection	Rev.	Weight	Scale
	A6		
All Dimensions in mm		Sheet 1 of 1	
SHINNING SHENZHEN SHINNING ELECTRONIC CO. LTD.			

1250-XXX-XX-X