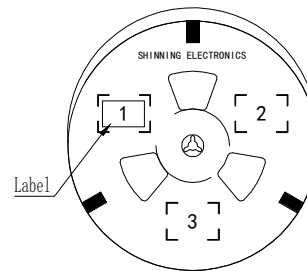
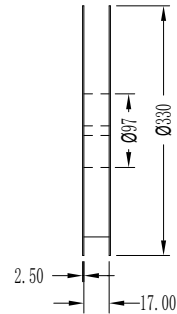
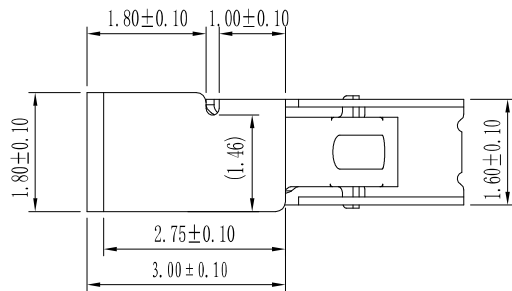
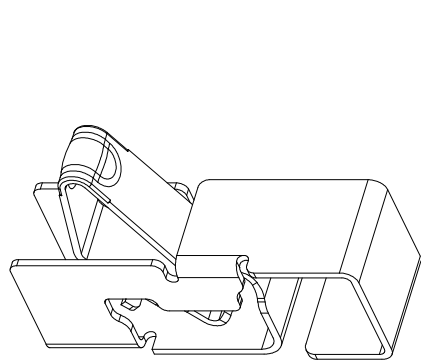
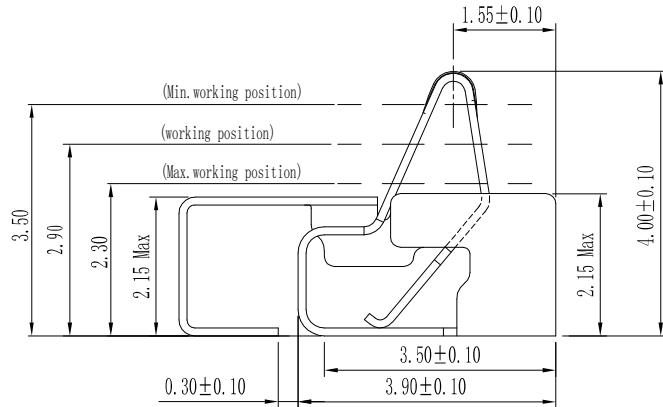
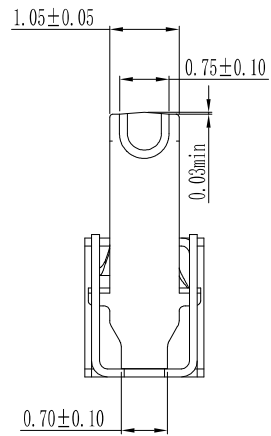
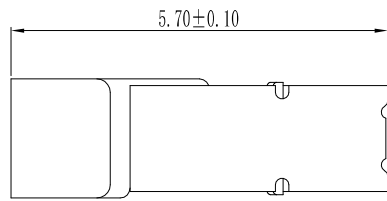
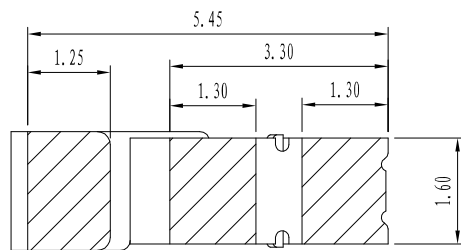
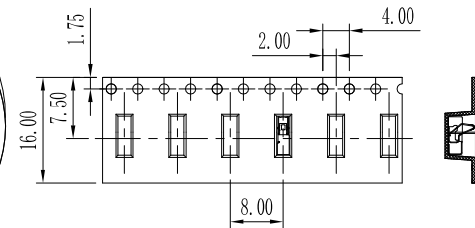


Performance characteristics:

1. Main body part material
Contact terminal: SUS301-EH, 2~7.6 μm Ni under plated, contact plating Au 0.38 μm Min. , solder plating Au 0.08~0.6 μm .
2. Electrical requirements:
Current rating: 1 A
Voltage rating: 12 V DC
Contact resistance: ≤50 mΩ
3. Environment specification
Working temperature: -55°C~+125°C
4. Packing & storing
Method of packing: Reel
Storing condition: temperature of -10°C~+40°C
below 80% relative humidity
5. Style of installation: SMT
6. To prevent the pollution of the environment product info
RoHS agreement: In line with the European Union RoHS.



Feed direction
→



P. C. B LAYOUT
TOP VIEW

Tolerance: ±0.05

Unless otherwise specified tolerance:

X.	±0.50	X.°	±3°
.X	±0.38	.X'	±2°
.XX	±0.25		

Mark	NO.	File NO.	Signature	Date
DRAW		Jiangbo Liu		2020.05.20
CHK				
MAN				
STD				
APP				

SMT Spring

19163062

SL0.1916.048

Projection	Rev.	Weight	Scale
	A0		
All Dimensions in mm		Sheet 1 of 1	
SHINNING SHENZHEN SHINNING ELECTRONIC CO.,LTD.			