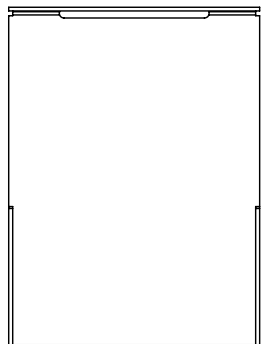
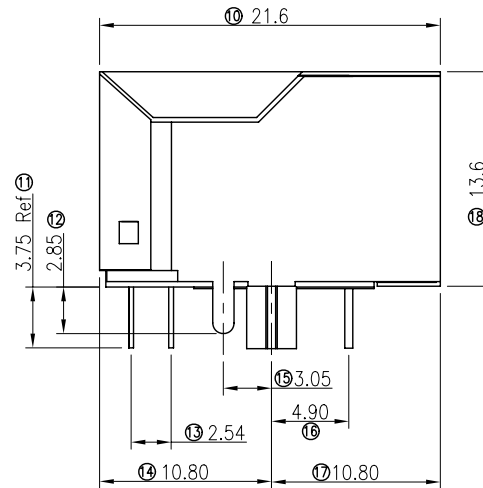
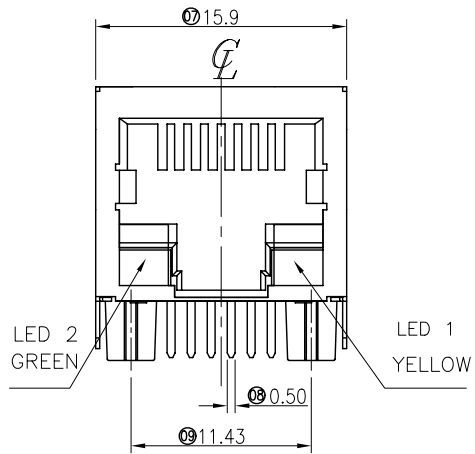


RECOMMENDED
PANEL CUTOUT DIMENSION

Performance characteristics:

1. Main body part material
Insulator: PBT Black UL94V-0
Contact terminal: Phosphor bronze, 1.27~2μm Ni under plated,
Contact area plating Gold Flash, solder plating Sn 3~5μm.
Shield: Copper Alloy Plated with Ni
2. Environment specification
Working temperature: -25°C ~ 80°C
Humidity: ≤93% at 40°C
3. Packing & storing
Method of packing: Tray, outer box
Storing condition: temperature of -10°C ~ +40°C
below 80% relative humidity
4. Style of installation: solder pcb installation
5. To prevent the pollution of the environment product info
RoHS agreement: In line with the european union RoHS.

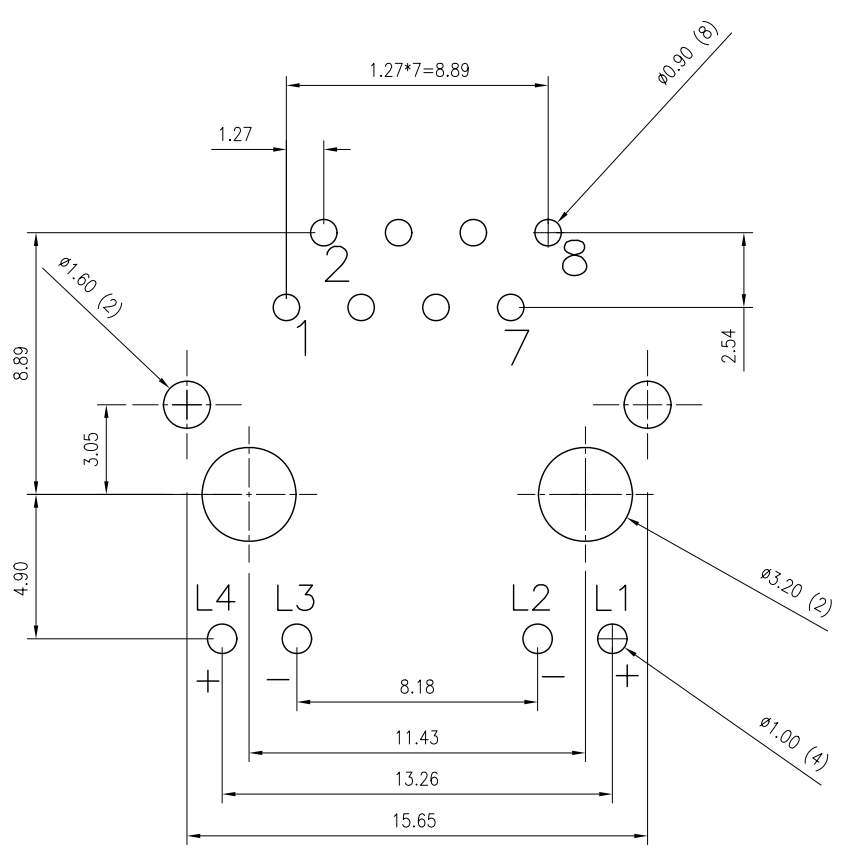


Shinning P/N	Megmeet P/N	SPEC.
1605-182-21-1	R30041504	/

Unless otherwise specified tolerance:

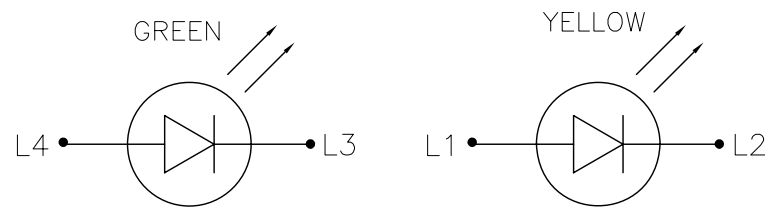
X.	± 0.50	X.°	± 3°
.X	± 0.38	.X°	± 2°
.XX	± 0.25		

Mark	NO.	File NO.	Signature	Date	RJ45, CONNECTORS, W/LED, 8P, 8C, SHIELDED 10/100MBPS, FILTER	SL0. 1605. 006			
DRAW	CHK	MAN	STD	APP		Projection	Rev.	Weight	Scale
An.Cheng 2013-10-21						1605-182-21-1	A0		
						All Dimensions in mm Sheet 3 of 1			
						SHINNING SHENZHEN SHINNING ELECTRONIC CO.,LTD.			



SUGGESTED PCB LAYOUT
(TOP VIEW)
DIMENSIONAL TOLERANCE: ±0.05

LED CONFIGURATION :



Unless otherwise specified tolerance:

X.	± 0.50	X.°	± 3°
.X	± 0.38	.X°	± 2°
.XX	± 0.25		

Mark	NO.	File NO.	Signature	Date
DRAW		An.Cheng 2013-10-21		
CHK				
MAN				
STD				
APP				

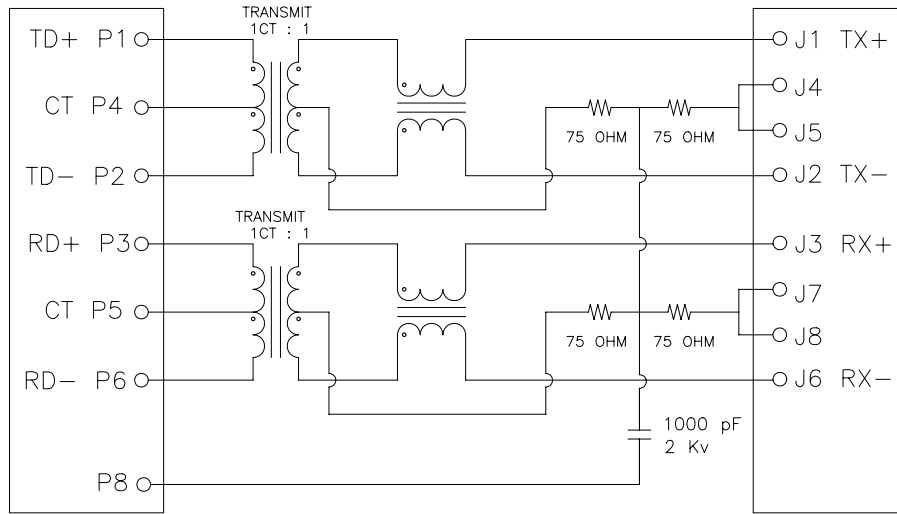
RJ45, CONNECTORS, W/LED, 8P, 8C,
SHIELDED 10/100MBPS, FILTER

1605-182-21-1

SL0.1605.006			
Projection	Rev.	Weight	Scale
	A0		
All Dimensions in mm		Sheet 3 of 2	
SHINNING SHENZHEN SHINNING ELECTRONIC CO.,LTD.			

CONNECTOR SOLDER SIDE

RJ45 CONTACT SIDE



ELECTRICAL CHARACTERISTICS :

TEST NOTES:(25°±5°C)

1. TR:(100KHz,0.1V); 100%
PINS:(P1,P2):(J1,J2)=1:1±3%;(P3,P6):(J3,J6)=1:1±3%
2. LX:(100KHz,100mV,8mA, DC Bias) 100%
PINS:(P1,P2),(P3,P6)=350uH MINIMUM
3. DCR: 100%
PINS:(J1,J2),(J3,J6)=1.2 Ω MAXIMUM
4. HIPOT: 100%
PINS(P1,P2)TO(J1,J2)=1500VAC FOR 2 SECONDS
PINS(P3,P6)TO(J3,J6)=1500VAC FOR 2 SECONDS
5. INSERTION LOSS:
-1.0dB MAXIMUM AT 1MHz TO 100MHz;
6. RETURN LOSS:
-20dB MINIMUM AT 1MHz TO 30MHz;
-15dB MINIMUM AT 30MHz TO 60MHz
-10dB MINIMUM AT 60MHz TO 80MHz
7. CROSS TALK:
-30dB MINIMUM AT 1MHz TO 100MHz
8. COMMON TO COMMON MODE REJECTION:
-30dB MINIMUM AT 1MHz TO 100MHz

Unless otherwise specified tolerance:

X.	±0.50	X.°	±3°
.X	±0.38	.X°	±2°
.XX	±0.25		

				RJ45, CONNECTORS, W/LED, 8P, 8C, SHIELDED 10/100Mbps, FILTER				SL0.1605.006			
Mark	NO.	File NO.	Signature	Date	Projection		Rev.	Weight	Scale		
DRAW	An.Cheng 2013-10-21				A0		A0				
CHK					All Dimensions in mm		Sheet 3 of 3				
MAN					1605-182-21-1		SHINNING SHENZHEN SHINNING ELECTRONIC CO.,LTD.				
STD											
APP											