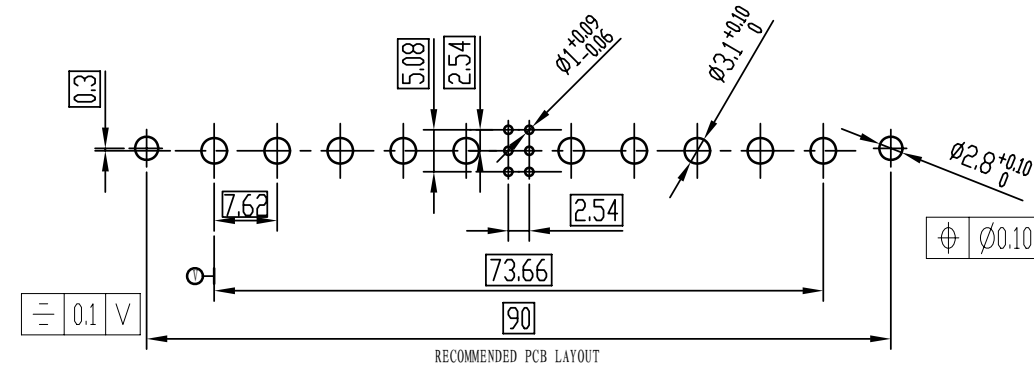
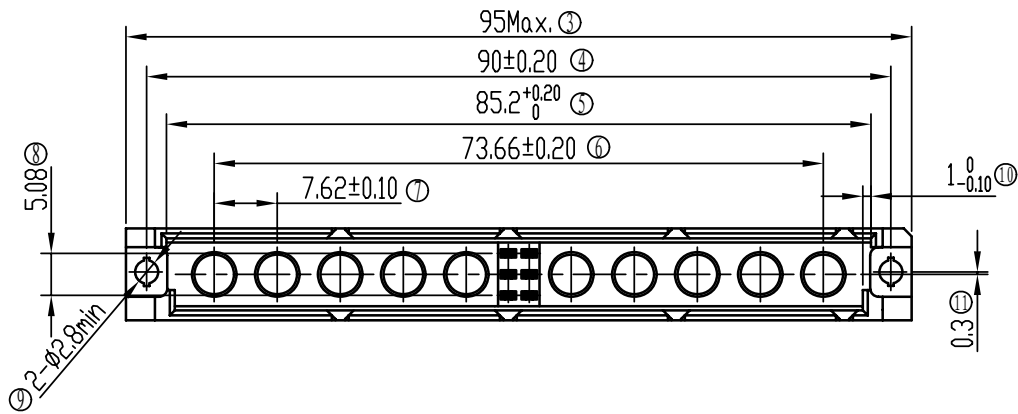


Performance characteristics:

- Main body part material
Insulator: PBT Grey ULV94-0
Contact terminal: Phosphor bronze, 1.27μm Ni under plated, outer plating see part number rule
- Electrical requirements:
Current rating: 1.5 A(20°C)
Contact resistance: $\leq 20\text{ m}\Omega$
Insulation resistance: >math>10^9\text{ M}\Omega</math>
Withstanding voltage: 1000 Vr.m.s, 1mA, 60s
- Environment specification
Working temperature: -55°C ~ +125°C
Resistance to soldering heat: 245°C±5°C, 10s
- Applicable standard: DIN41612
- Packing & storing
Method of packing: box, inner box, outer box
Storing condition: temperature of -10°C ~ +40°C below 80% relative humidity
- Style of installation: solder PCB installation
- To prevent the pollution of the environment product info
RoHS agreement: In line with the european union RoHS.



1824-XXX-X-X-A

Series code	terminal array	Tail long code		Plating code		Insulator material & color		
Code	Definition	Code	Definition	Definition		Code	Definition	
302	3x2Pin Signal+10Pin-Power hole	3	Signal-Pin Tail3.5mm without Power pin	5	Gold flash	Sn3-5μm	A	PBT grey UL94V-0
				6	Au0.25μm		X	Customized
				7	Au0.38μm			
				8	Au0.76μm			
				D	PdNi 0.25μm+Gold flash			
				E	PdNi 0.38μm+Gold flash			
				F	PdNi 0.76μm+Gold flash			
				X	Customized			

Unless otherwise specified tolerance:

X.	±0.50	X.°	±3°
.X	±0.38	.X°	±2°
.XX	±0.25		

Mark	NO.	File NO.	Signature	Date
DRAW			Kevin	2013.09.24
CHK				
MAN				
STD				
APP				

DIN41612 CONN.M/Male/Solder		SL0.1824.005	
6 Signal Pin+10 Power Pin hole without Power pin		Projection	Rev.
		Weight	Scale
		Sheet 1 of 1	
1824-302-3X-A		SHINNING SHENZHEN SHINNING ELECTRONIC CO.LTD.	

Projection	Rev.	Weight	Scale
A0			
All Dimensions in mm			
Sheet 1 of 1			