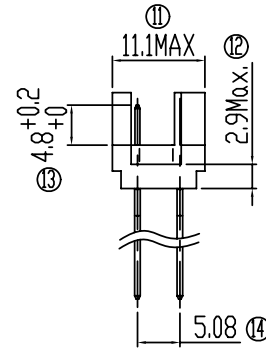


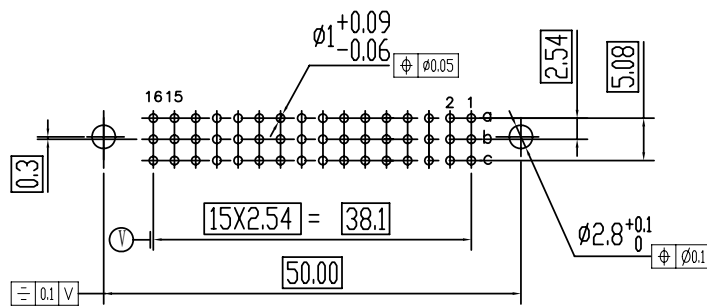
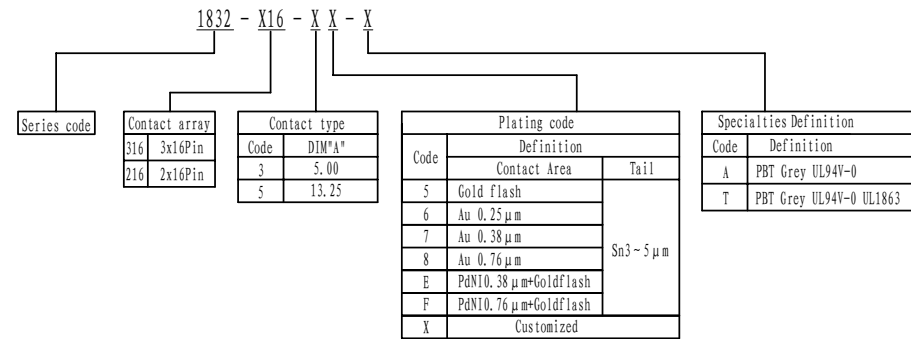
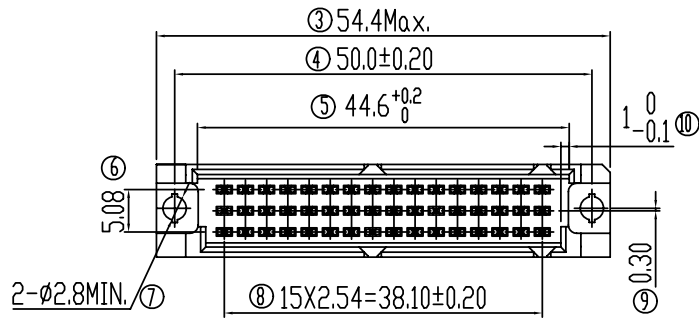
THREE ROWS TAIL



TWO ROWS TAIL

Performance characteristics:

- Main body part material
Insulator: PBT Grey UL94V-0
Contact terminal: Phosphor bronze, 1.27μm Ni under plated, outer plating see spec list
- Electrical requirements:
Current rating: 1.5 A (at 20°C)
contact resistance: $\leq 20\text{ m}\Omega$
insulation resistance: $\geq 10^6\text{ M}\Omega$
Withstanding voltage: 1000 Vr.m.s, 1mA, 60s
- Environment specification
Working temperature: -55°C ~ +125°C
- Applicable standard: DIN41612
- Packing & storing
Method of packing: Box , inner box, outer box
Storing condition: temperature of -10°C ~ +40°C
below 80% relative humidity
- Style of installation: press-fit pcb installation
- To prevent the pollution of the environment product info
RoHS agreement: In line with the european union RoHS.



RECOMMENDED PCB LAYOUT

Unless otherwise specified tolerance:

X.	± 0.50	X.°	± 3°
.X	± 0.38	.X°	± 2°
.XX	± 0.25		

Mark	NO.	File NO.	Signature	Date
DRAW		Lawrence		2013.09.07
CHK				
MAN				
STD				
APP				

DIN41612 CONN. R/2 TYPE
MALE/PRESS-FIT

1832-X16-XX-X

SL0.1832.014

Projection	Rev.	Weight	Scale
	A0		

All Dimensions in mm 1 of 1

