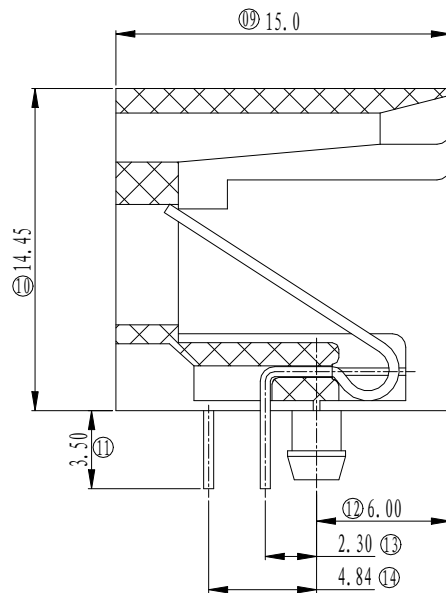
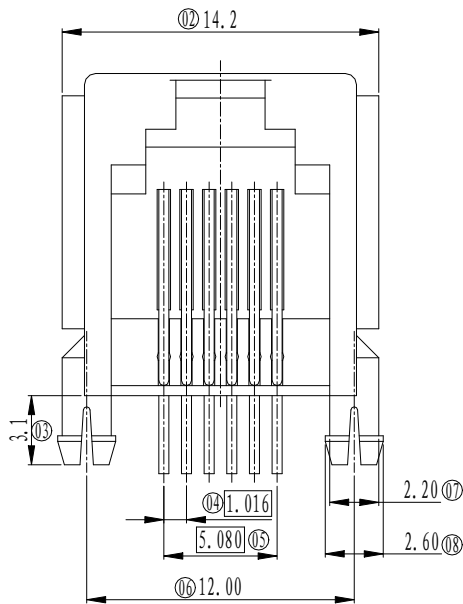


PCB Layout



Performance characteristics:

1. Main body part material
 Insulator: PBT Gray UL94V-0
 Contact terminal: phosphor bronze, 1.27~2 μm Ni under plated, Outer plating Gold Flash.
2. Electrical requirements:
 Current rating: 1.5 A
 Voltage rating: 150 V
 Contact resistance: ≤ 20 mΩ
 Insulation resistance: ≥ 1000 MΩ
 Withstanding voltage: 1000 Vr.m.s, 1mA, 60s
3. Environment specification
 Working temperature: -45°C ~ 85°C
 Humidity: < 93% at 40°C
4. Packing & storing
 Method of packing: Tray, inner box, outer box
 Storing condition: temperature of -10°C ~ +40°C below 80% relative humidity
5. Style of installation: solder pcb installation
6. To prevent the pollution of the environment product info
 RoHS agreement: In line with the european union RoHS.

Unless otherwise specified tolerance:

X.	± 0.50	X.°	± 3°
.X	± 0.38	.X°	± 2°
.XX	± 0.25		

Mark	NO.	File NO.	Signature	Date
DRAW			An.Cheng	2013-04-06
CHK				
MAN				
STD				
APP				

RJ11 Connector
 1*1 Without Shield Type
 1603-160-01-A

SL0.1603.002			
Projection	Rev.	Weight	Scale
	A0		
All Dimensions in mm		Sheet 1 of 1	
SHINNING SHENZHEN SHINNING ELECTRONIC CO.,LTD.			