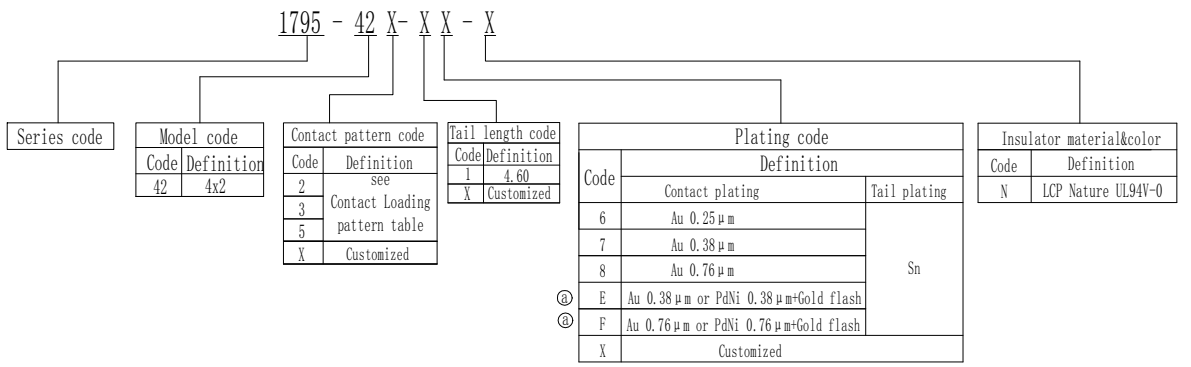
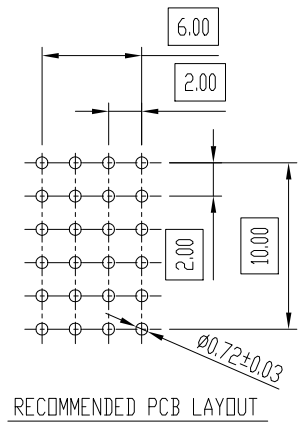
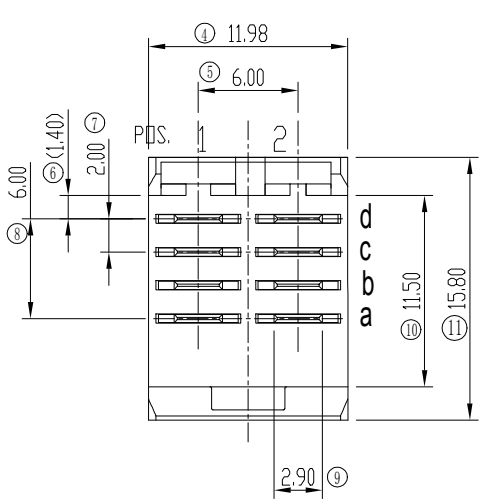


CODE	DIM "A"
2	5.75
3	6.50
4	7.25
5	8.00

- Performance characteristics:
- Main body part material
Insulator: LCP NATURE COLOR UL94V-0
Contact terminal: Copper Alloy, Ni 1.27 μm Min. Underplated over all.
mate area plating see part number rule, Sn plated at tail
 - Electrical requirements:
Insulation resistance: ≥1000 MΩ
Withstanding voltage: 1000 Vr.m.s, 1mA, 60s
 - Environment specification
Working temperature: -55°C~+125°C
 - Applicable standard: IEC61076-4-104
 - Packing & storing
Method of packing: Tube, inner box, outer box
Storing condition: temperature of -10°C~+40°C
below 80% relative humidity
 - Style of installation: Press-fit pcb installation
 - To prevent the pollution of the environment product info
RoHS agreement: In line with the european union RoHS



Unless otherwise specified tolerance:

X.	±0.50	X.°	±3°
.X	±0.38	.X°	±2°
.XX	±0.25		

②	2	522090	Jiangbo Liu	2021.06.27	HMI Series 2mm Signal Right Angle Male Press fit Power Connector (4x2)	SLO. 1795.001			
Mark	NO.	File NO.	Signature	Date		Projection	Rev.	Weight	Scale
DRAW	Lawrence 2014.12.01					⊕	A1		
CHK	Lawrence 2021.08.11					All Dimensions in mm Sheet 1 of 2			
MAN					STD	Juanli lai 2021.08.13		1795-42X-1X-N	SHINNING SHENZHEN SHINNING ELECTRONIC CO. LTD.
APP	Alan 2021.08.13								

