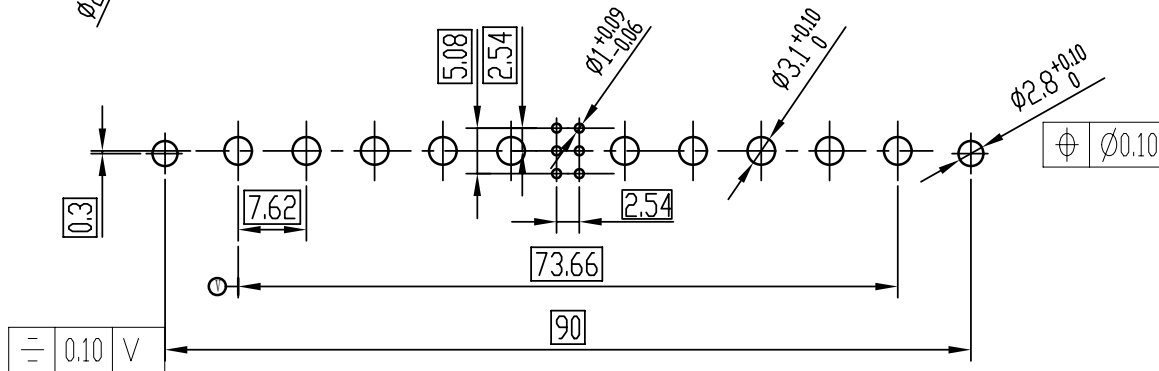
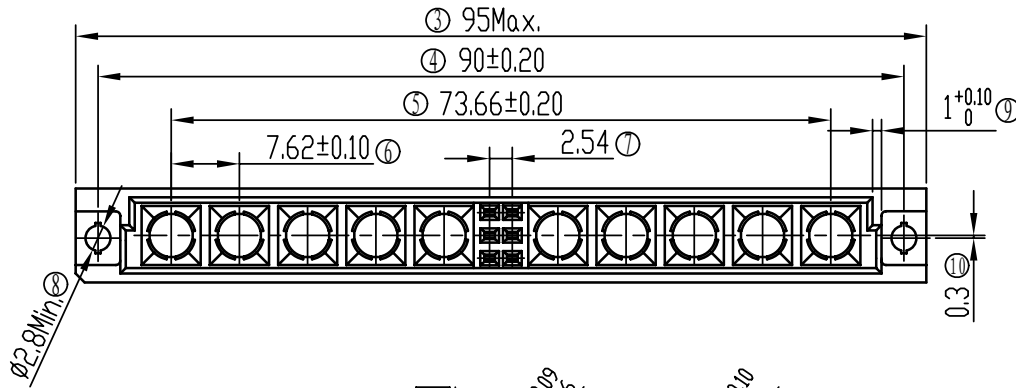


Performance characteristics:

- Main body part material
Insulator: PBT Grey ULV94-0
Contact terminal: Phosphor bronze, 1.27μm Ni under plated, outer plating see part number rule
- Electrical requirements:
Current rating: 1.5 A (20°C)
Contact resistance: ≤ 20 mΩ
Insulation resistance: ≥ 10¹⁰ MΩ
Withstanding voltage: 1000 Vr.m.s, 1mA, 60s
- Mechanical requirements
Insertion force: ≤ 0.94N/pin
Extraction force: ≥ 0.15N/pin
- Environment specification
Working temperature: -55°C ~ +125°C
Resistance to soldering heat: 245°C ± 5°C, 10s
- Applicable standard: DIN41612
- Packing & storing
Method of packing: box, inner box, outer box
Storing condition: temperature of -10°C ~ +40°C below 80% relative humidity
- Style of installation: solder PCB installation
- To prevent the pollution of the environment product info
RoHS agreement: In line with the european union RoHS.



RECOMMENDED PCB LAYOUT

1825-XXX-X X-A

| Series code | terminal&array | Tail long code | Plating code | Insulator material & color |
|-------------|---------------------------------------|---|--|------------------------------------|
| | Code Definition | Code Definition | Code Definition | Code Definition |
| | 302 3x2 Signal Pin+ 10 Power Pin hole | 3 Signal Pin Tail 3.5mm without Power pin | 5 Gold flash 6 Au0.25 μm 7 Au0.38 μm 8 Au0.76 μm D PdNi 0.25 μm+Gold flash E PdNi 0.38 μm+Gold flash F PdNi 0.76 μm+Gold flash X Customized | A PBT grey UL94V-0 X Customized |

Unless otherwise specified tolerance:

| | | | |
|-----|--------|-----|------|
| X. | ± 0.50 | X.° | ± 3° |
| .X | ± 0.38 | .X° | ± 2° |
| .XX | ± 0.25 | | |

| Mark | NO. | File NO. | Signature | Date |
|------|-----|----------|-----------|------------|
| DRAW | | | Kevin | 2013.09.24 |
| CHK | | | | |
| MAN | | | | |
| STD | | | | |
| APP | | | | |

DIN41612 CONN.M/Female/Solder
6 Signal Pin+10 Power Pin hole
without Power pin

1825-302-3X-A

SL0.1825.005

| Projection | Rev. | Weight | Scale |
|------------|------|--------|-------|
| | A0 | | |

All Dimensions in mm Sheet 1 of 1

SHINNING SHENZHEN SHINNING ELECTRONIC CO.,LTD.