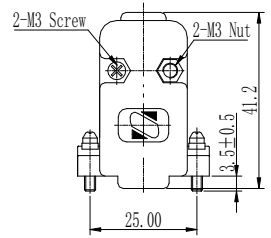
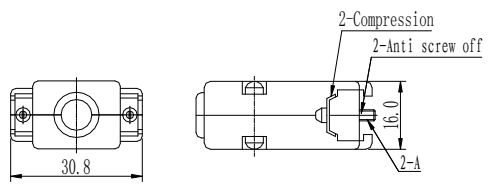
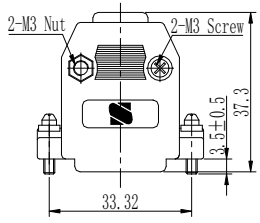
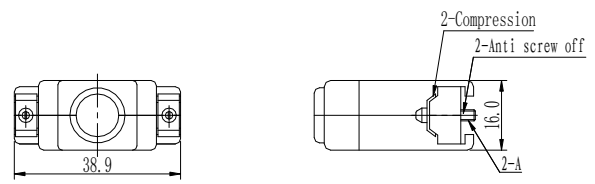


A



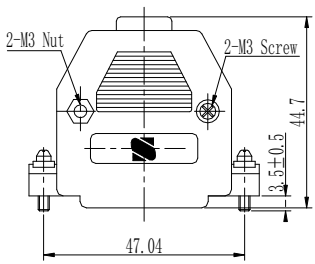
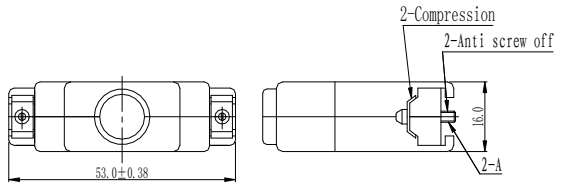
9PIN



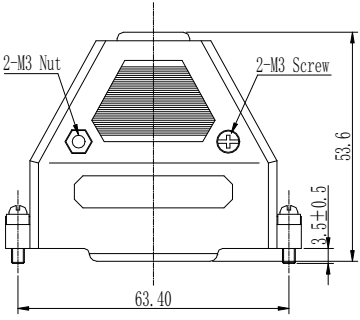
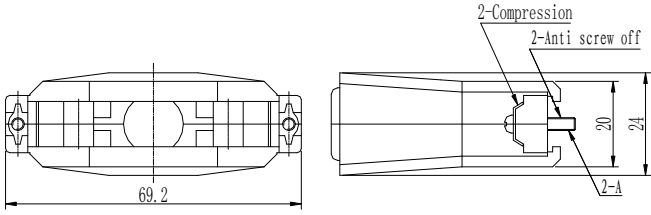
15PIN

B

C



25PIN



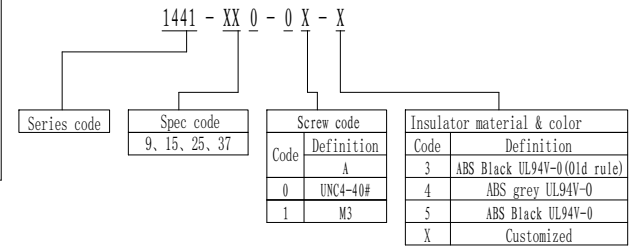
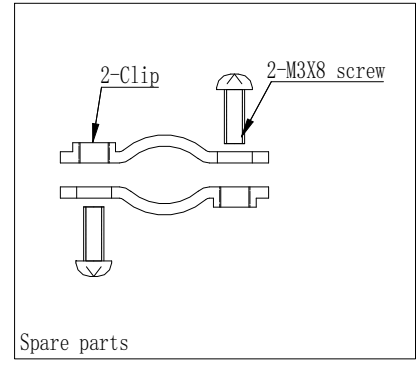
37PIN

D

E

Performance characteristics:

1. Main body part material
Insulator: ABS UL94V-0
Pieces of hardware: Steel plating Zn
2. Environment specification
Working temperature: -40°C~100°C
3. Packing & storing
Method of packing: PE bag, inner box, outer box
Storing condition: temperature of -10°C~+40°C
below 80% relative humidity
4. To prevent the pollution of the environment product
info: In line with the european union RoHS



Unless otherwise specified tolerance:

X.	±0.50	X.°	±3°
.X	±0.38	.X°	±2°
.XX	±0.25		

Mark	NO.	File NO.	Signature	Date
DRAW				Deyu Kong 2017.09.05
CHK			Lawrence	2017.9.8
MAN				
STD				Spring2017.9.11
APP				Alan2017.9.11

D-SUB Plastic hood

1441-XX0-0X-X

SLO. 1441. 100

Projection	Rev.	Weight	Scale
	BO		
All Dimensions in mm		Sheet 1 of 1	
SHINNING SHENZHEN SHINNING ELECTRONIC CO.,LTD.			