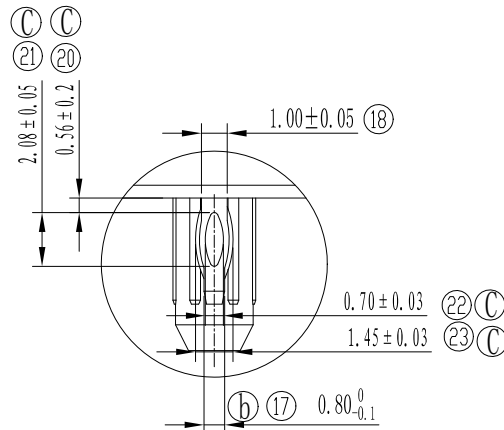
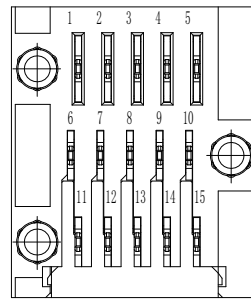
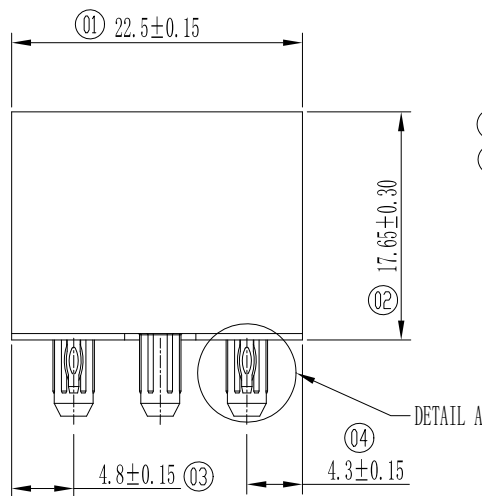


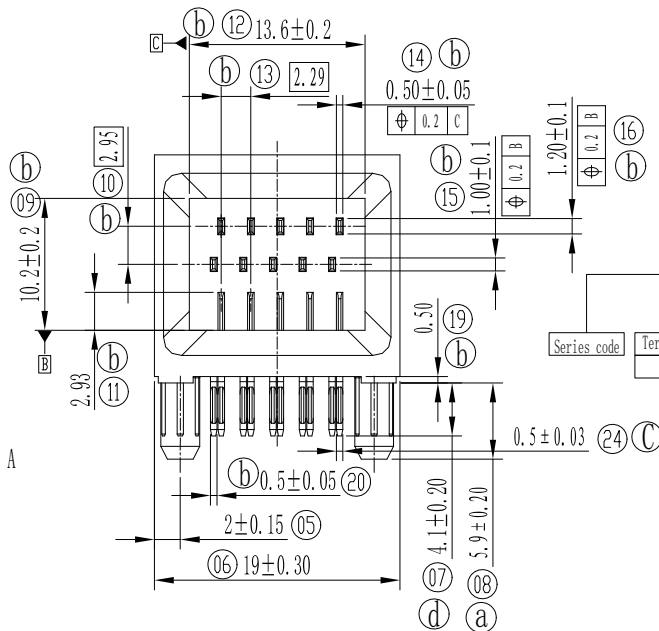
PCB LAYOUT (PCB Thickness 2.0mm MIN)



DETAIL A  
SCALE 2:1



DETAIL A



Performance characteristics:

- Main body part material  
Insulator: PBT BLACK UL94 V-0  
Contact terminal: Copper alloy, 1.27 μm min Ni under plated, outer plating see spec list
- Electrical requirements:  
Current rating: 3 A  
Voltage rating: 300 V  
Contact resistance: ≤15 mΩ  
Insulation resistance: ≥5000 MΩ  
Withstanding voltage: 1000 Vr.m.s, 1mA, 60s
- Environment specification  
Working temperature: -40°C~+105°C
- Applicable standard: IEC60807
- Packing & storing  
Method of packing: Tray, inner box, outer box  
Storing condition: temperature of -10°C~+40°C below 80% relative humidity
- Style of installation: PRESS-FIT installation
- To prevent the pollution of the environment product info  
RoHS agreement: In line with the european union RoHS

1450 - XX X - X X - X

Series code		Terminal number		Spec code		Type code		Plating code			Insulator material & color	
Code	Definition	Code	Definition	Code	Definition	Code	Definition	Code	Contact plating	Tail plating	Code	Definition
15	Male PCB Right angle PRESS-FIT	5	along with screw/hole 4.2	0	along with screw/hole 4.2	7	Au 0.38 μm	Sn 0.5~1.5 μm	1	PBT black UL94V-0		
						8	Au 0.76 μm	Sn 0.5~1.5 μm	X	Customized		
						X	Customized					

Unless otherwise specified tolerance:

X.	±0.50	X.°	±3°
.X	±0.38	.X°	±2°
.XX	±0.25		

①	1	494511	xudongbin	2021.01.04
⑥	6	306369	xudongbin	2018.05.25
⑬	14	111074	MH HAUNG	2016.04.29
Mark	NO.	File NO.	Signature	Date
DRAW	Mh huang 2015.10.21			
CHK	Lawrence 2021.01.15			
MAN				
STD	Juanli lai 2021.01.20			
APP	Alan 2021.01.20			

1450 QDB15 Male  
PCB Right angle PRESS-FIT

1450-155-0X-1

SLO. 1450.001

Projection	Rev.	Weight	Scale
⊕	A4		

All Dimensions in mm Sheet 1 of 1

