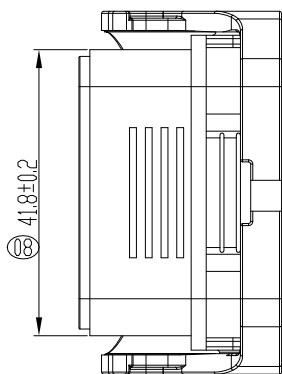
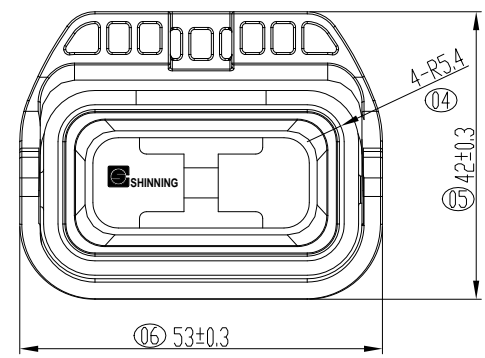
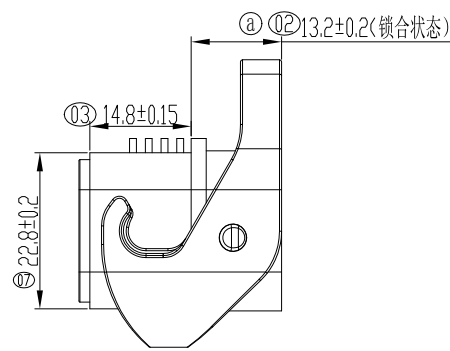
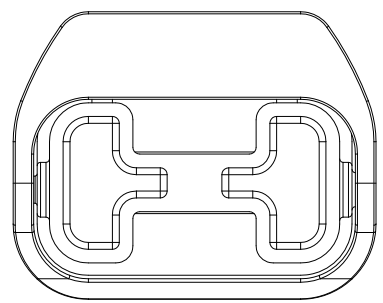


Performance characteristics:

1. Main body part material  
Insulator: PA6+30%GF (F1) BLACK UL94 V-0
2. Mechanical requirements  
Mechanical life: 50 cycles
3. Environment specification  
Working temperature: -40°C~+85°C
4. Applicable standard: IEC60807
5. Packing & storing  
Method of packing: Tray , inner box, outer box  
Storing condition: temperature of -10°C~+40°C  
below 80% relative humidity
6. Style of installation: Panel mounting.
7. To prevent the pollution of the environment product info  
RoHS agreement: In line with the european union RoHS



Unless otherwise specified tolerance:

X.	±0.50	X.°	±3°
.X	±0.38	.X°	±2°
.XX	±0.25		

①	1	446358	xudongbin	2020.03.28
②	2	428574	xudongbin	2019.12.03
Mark	NO.	File NO.	Signature	Date
DRAW	XUDONGBIN 2019.07.17			
CHK	Lawrence 2020.04.28			
MAN				
STD	JuanLi ali 2020.04.28			
APP	Alan 2020.04.29			

1450 QDB15 WATERPROOF CAP

SL0.1450.005

Projection	Rev.	Weight	Scale
	A2		
All Dimensions in mm		Sheet 1 of 1	
SHINNING SHENZHEN SHINNING ELECTRONIC CO.,LTD.			

14506001(14060771)